

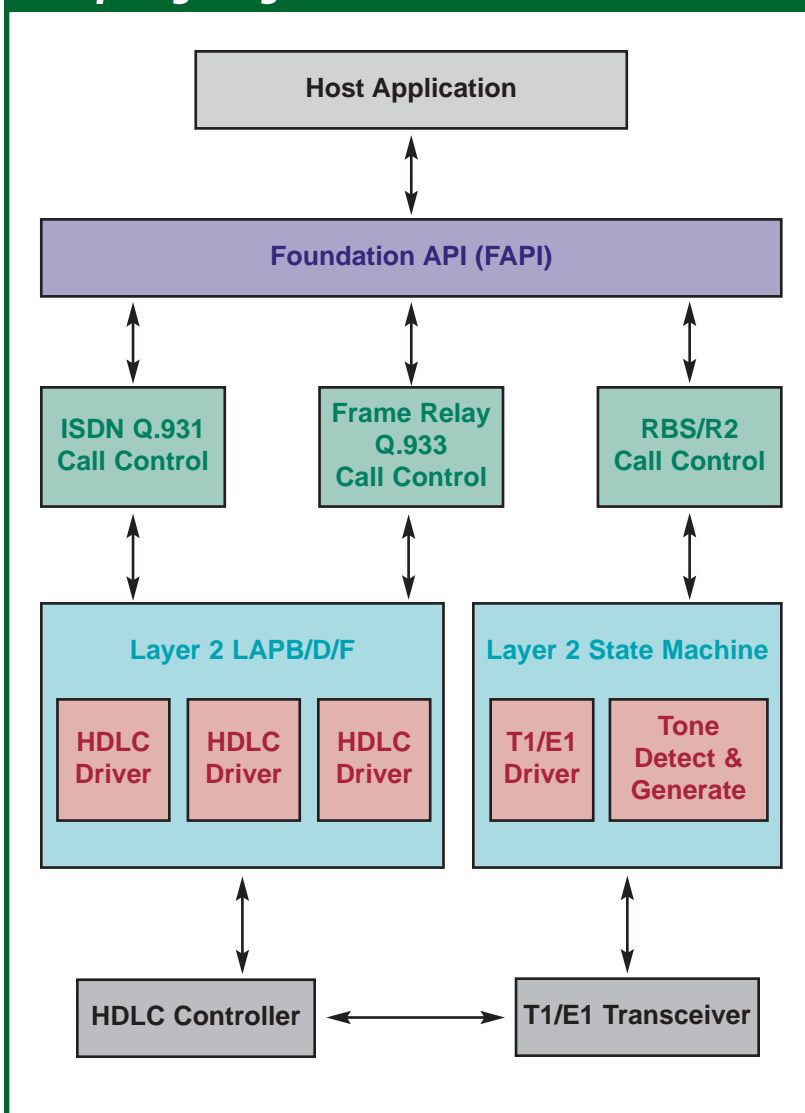
Telenetworks, the world leader in portable WAN software for OEMs, offers a complete T1/E1 software solution for embedded applications. Telenetworks Adaptable T1/E1 Software includes Primary Rate ISDN, Frame Relay, RBS, and R2 Signaling. Telenetworks' Foundation API (FAPI) provides common interface to the host application, easing the integration effort and speeding time-to-market.

Telenetworks Unifying Architecture

Telenetworks Unifying Architecture offers an integrated and simplified API that provides the OEM developer with the following network interface options:

- T1 Robbed Bit Signaling (RBS) for legacy North American and Japanese access equipment.
- E1 CAS signaling (R2) for European, Pacific Rim, and Emerging Market access equipment.
- Primary Rate North American ISDN DSS1 signaling.
- Primary Rate European, Pacific Rim, and Emerging Market ISDN DSS1 signaling solutions.
- Frame Relay Q.933 signaling.
- Complimentary B-Channel Protocols that include Frame Relay, PPP/ Multilink PPP, and X.25.
- QSIG symmetric E1 signaling.

Multiple Signaling Protocols – Common API



continued...

ISDN-BRI

Telenetworks run time configuration capabilities provide each T1/E1 port a range of line termination and protocol modes. The developer may simultaneously execute/test multiple protocols and applications. These include:

ISDN-PRI

ML-PPP

PPPoE

PPPoA

- T1 or E1 run-time configuration.
- Network-side or User-side Q.931 signaling operation.
- Layer 2 LAPB, LAPD, or LAPF run-time configuration on a per port basis.
- North American standard DSS1 variants including Nortel, AT&T Custom, and National ISDN types with run-time configuration.
- R2 CAS Signaling based on the ITU standards, as well as country specific variants.

ATM

L2TP

R2

RBS

X.25

AO/DI

QSIG

SS7

VoIP

DASS-2

DPNSS

ARINC 746

For all signaling variants, the Telenetworks' FAPI interface insures that the developer only needs to integrate Telenetworks' off-the-shelf solution one time no matter what the access protocol or where in the world it lies.

For voice applications, Telenetworks Adaptable ISDN Software offers the industrys widest possible supplementary services feature set. Telenetworks Unifying Architecture provides a winning solution for T1/E1 developers where time-to-market and simplicity of development are of primary importance.

The Established Leader

Since 1985, Telenetworks has been a leading supplier of Communications Protocol Source Code to the telecommunications industry. Telenetworks' staff of highly skilled professionals are focused on total customer support for the widest range of products available.

Over 450 of the leading manufacturers of gateways, routers, bridges, servers, multiplexers, terminal adapters, access devices, video and CTI products have chosen Telenetworks. We are proud of our reputation with these firms and in the industry.

Proven Software

Telenetworks field proven software is now in use in a wide variety of embedded and Windows applications for voice, data, and video applications, testifying to its adaptability. Our Unifying Architecture enables the combined use of Telenetworks' signaling and data protocols in numerous applications and products. A wide range of semiconductor device support and switch compatibility support is available off-the-shelf.

Commitment to Customer Success

Commitment to customer success is Telenetworks' credo. Throughout the cycle — from purchase through portation and after — Telenetworks supports its customers with advice, training, ongoing support, software maintenance, and updates to match evolving standards.

We have supported more developers longer than anyone in the industry, many with multiple products using our software over several years. Telenetworks is committed to unmatched technical leadership. The large majority of Telenetworks' employees are software engineers in sales, marketing, development, support, training, and management. The engineers who wrote the code are here to support it. Functional specs and detailed documentation are available for all Telenetworks' products.

The established world leader in communications protocol source code.

t e l e n e t w o r k s

A business unit of Next Level Communications

6085 State Farm Drive ■ Rohnert Park, California 94928 ■ 707.584.6100 ■ Fax: 707.584.6199
Email: info@tn.com ■ www.telenetworks.com